

Product Specifications

OPERATING PERFORMANCE

| | |
|---------------------------------|------------------------|
| Operating Weight - Mono Boom | 8,465 kg |
| Operating Weight - 2-Piece Boom | 8,780 kg |
| Bucket Capacity (Heaped) | 0.245 m ³ |
| Slew Speed | 10.3 min ⁻¹ |
| Travel Speed | |
| 1st | 2.6 km/h |
| 2nd | 5.0 km/h |
| Gradeability | 35° |
| Ground Pressure - Mono Boom | 37.9 kPa |
| Ground Pressure - 2-Piece Boom | 39.3 kPa |
| Maximum Bucket Breakout Force | 59.1 kN |
| Maximum Arm Digging Force | 40.0 kN |
| Traction Force | 88.0 kN |
| Boom Swing Angle (Left/Right) | 70° / 60° |

ENGINE

| | |
|--------------------------|------------------------------------|
| Model | Yanmar / 4TNV98T |
| Rated Output (ISO 14396) | 51.6 kW / 2,000 min ⁻¹ |
| Maximum Torque | 302.0 Nm / 1,475 min ⁻¹ |
| Displacement | 3,318 ml |
| Alternator | 12 V - 0.96 kW |
| Battery (IEC 60095-1) | 12 V - 72 A·h |

FLUID CAPACITY

| | |
|------------------------------|---------|
| Engine Lubrication | 10.2 L |
| Cooling System | 14.0 L |
| Fuel Tank Capacity | 128.0 L |
| Hydraulic Reservoir Capacity | 73.0 L |
| Hydraulic System Capacity | 140.0 L |

HYDRAULIC SYSTEM

| | |
|--------------------|----------------------------|
| P1 | Variable Displacement Pump |
| Flow Rate | 160.0 L/min |
| Relief Pressure | 27.5 MPa |
| P2 | Gear Pump |
| Flow Rate | 60.6 L/min |
| Hydraulic Pressure | 24.0 MPa |
| Service Port 1 | |
| Flow Rate | 100.0 L/min |
| Hydraulic Pressure | 20.6 MPa |
| Service Port 2 | |
| Flow Rate | 55.0 L/min |
| Hydraulic Pressure | 20.6 MPa |
| Service Port 3 | |
| Hydraulic Pressure | 20.6 MPa |
| Service Port 4 | |
| Flow Rate | 55.0 L/min |
| Hydraulic Pressure | 20.6 MPa |

SAFETY and HEALTH

| | |
|-------------------|------------------------|
| Vibration Levels | |
| Hand / Arm | ≤ 2.5 m/s ² |
| Body | ≤ 0.5 m/s ² |
| Noise Level | |
| Sound Power Level | LWA 99 dB |



Multi-Informational Display



Hydraulic Joystick Controls



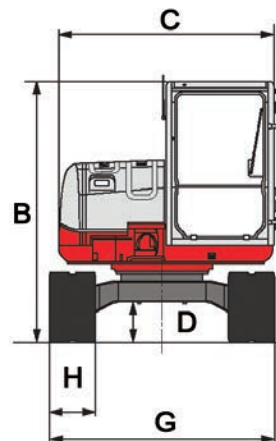
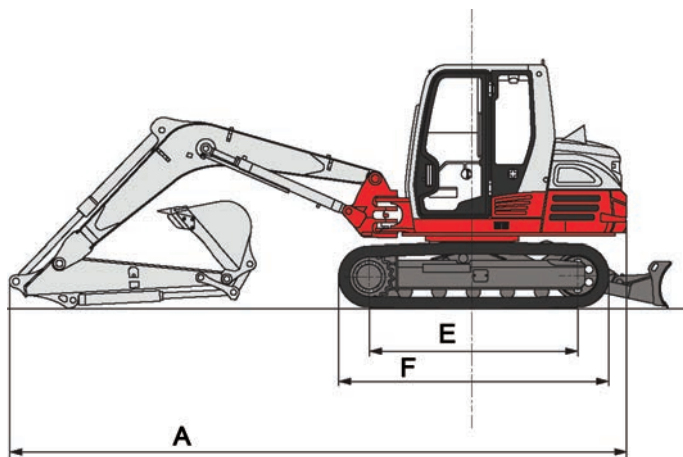
Auxiliary Hydraulic Lines



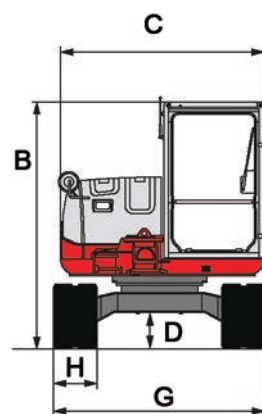
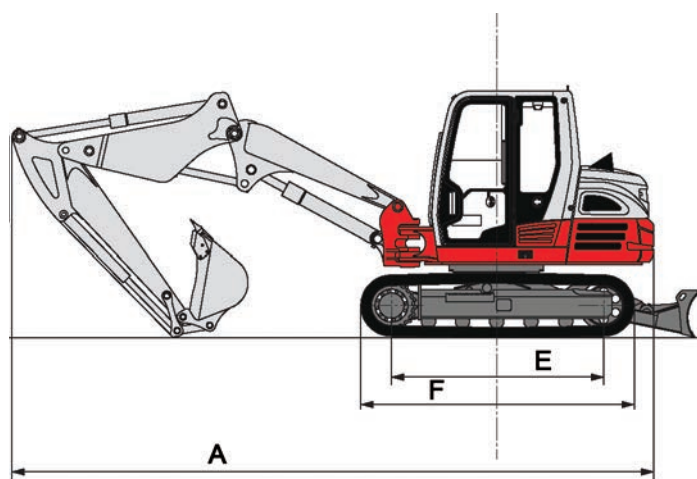
Multi-Function Switch Bank

TB285 Machine Dimensions

Mono Boom



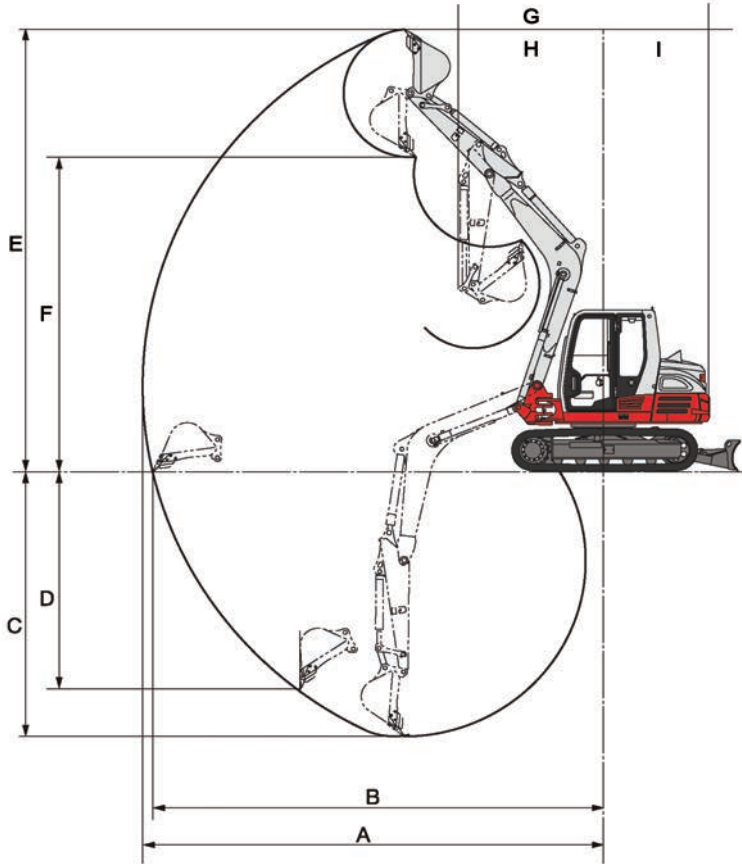
2 Piece Boom



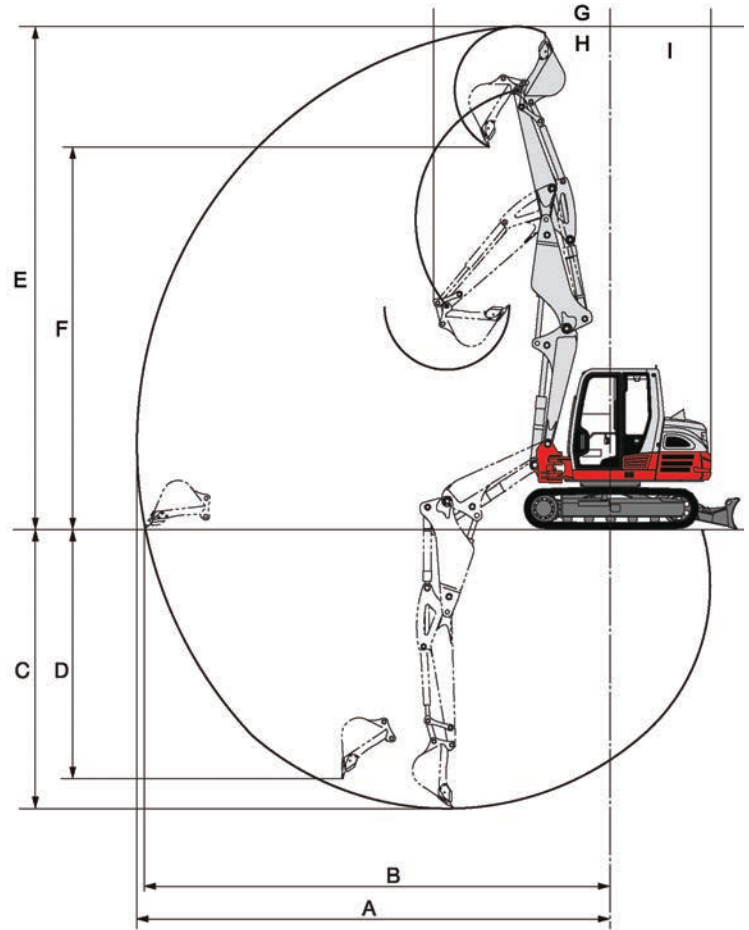
| MACHINE DIMENSIONS | Mono Boom | | | 2-Piece Boom |
|---------------------------------|--------------|--------------|--------------|--------------|
| | 1,780 mm ARM | 1,960 mm ARM | 2,130 mm ARM | |
| A Overall Length | 6,530 mm | 6,575 mm | 6,660 mm | 6,700 mm |
| B Overall Height | 2,550 mm | 2,550 mm | 2,550 mm | 2,550 mm |
| C Upper Structure Overall Width | 2,140 mm | 2,140 mm | 2,140 mm | 2,140 mm |
| D Ground Clearance | 370 mm | 370 mm | 370 mm | 370 mm |
| E Crawler Base | 2,210 mm | 2,210 mm | 2,210 mm | 2,210 mm |
| F Crawler Overall Length | 2,855 mm | 2,855 mm | 2,855 mm | 2,855 mm |
| G Crawler Overall Width | 2,200 mm | 2,200 mm | 2,200 mm | 2,200 mm |
| H Crawler Shoe Width (Rubber) | 450 mm | 450 mm | 450 mm | 450 mm |

TB285 Operating Dimensions

Mono Boom



2 Piece Boom



| MACHINE DIMENSIONS | Mono Boom | | | 2-Piece Boom |
|---------------------------------------|--------------|--------------|--------------|--------------|
| | 1,780 mm ARM | 1,960 mm ARM | 2,130 mm ARM | |
| A Maximum Reach | 7,105 mm | 7,275 mm | 7,435 mm | 7,730 mm |
| B Maximum Reach at Ground Level | 6,950 mm | 7,125 mm | 7,290 mm | 7,595 mm |
| C Maximum Digging Depth | 4,230 mm | 4,410 mm | 4,580 mm | 4,480 mm |
| D Maximum Vertical Digging Depth | 3,470 mm | 3,650 mm | 3,820 mm | 3,990 mm |
| E Maximum Height of Cutting Edge | 7,030 mm | 7,165 mm | 7,290 mm | 8,035 mm |
| F Maximum Dumping Height | 4,995 mm | 5,135 mm | 5,260 mm | 6,110 mm |
| G Front Swing Radius | 2,240 mm | 2,360 mm | 2,495 mm | 2,675 mm |
| H Front Swing Radius with Boom Offset | 1,810 mm | 1,910 mm | 2,030 mm | 2,190 mm |
| I Slew Radius | 1,650 mm | 1,650 mm | 1,650 mm | 1,650 mm |

© 2017 Takeuchi MFG. Co., Ltd. All Rights Reserved. In accordance with our established policy of continued improvement, specifications and features are subject to change without notice. Pictures may show options other than standard equipment.

TAKEUCHI
From World First to World Leader